

# English

**Initial Assembly will take around 10 mins.**

**To watch an assembly video visit the support tab at [www.icontrolsport.com](http://www.icontrolsport.com)**

**Here are your 5 Simple Steps to Play Anywhere**

## **Step 1**

Open Orange X Frame in the direction of the Arrows.

**IMPORTANT: ENSURE RUBBER FEET ARE FLAT ON THE GROUND. IF THEY ARE NOT, OR IF FIXING HOLES DO NOT ALIGN IN STEP 5, CLOSE AND RE-OPEN X-FRAME IN OPPOSITE DIRECTION**

Now attach the Ball Net (C).

## **Step 2**

Take Front Ramp (A) and insert 2 Long Slider Bolts (D) into the top metal channel Insert 2 Short Slider Bolts (E) into the lower metal channel.

## **Step 3**

Feed the Large Slider Rods (D) through the X Frame, this can be made easier by lifting the X Frame to a slightly higher position. Place 4 Spacers (F) in position (See Fig. 3 for options) Loosely tighten Hand Screws (G) onto each Rod. Now feed the Small Slider Rods (E) through the lower section of the X Frame. Tighten all 4 Hand Screws to secure Front Ramp.

## **Step 4**

Attach Rear Frame (B) using 2 x (H) Short Hand Bolts to the Lower Frame side fixing point of the X Frame. **Once attached and with the rear frame flat on the ground**, slide Velcro under the base of the X Frame and close Velcro around the lower X Frame tube ensuring that this is not over stretched.

## **Step 5**

Lift (Pivot) Rear Frame (Mesh Side) and attach to the top fixings on the X Frame using 2 x (I) Long Hand Bolts. If the Mesh is too tight, loosen the Velcro fixing point to the desired tension.

You are now ready to **Play Anywhere**

Fig.3

## Adjusting

### Front Ramp (A)

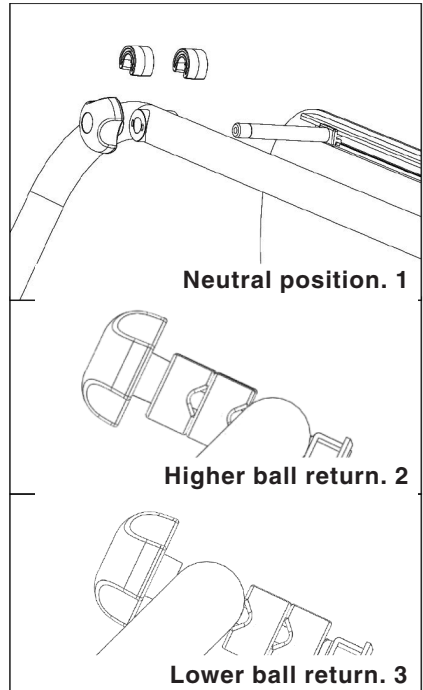
The Front Ramp Spacers (F) can be arranged in 3 different positions (See Fig. 3) to create different angles of return and a further 2 positions to create unpredictable returns.

For unpredictable returns either:

1. Place 2 Spacers in Position. 1 and 2 Spacers in Position. 3
2. Place 2 spacers in Position. 2 and 2 Spacers in Position. 3

### Mesh Rear Ramp (B) Tension

Adjust Rear Ramp mesh Tension by following Step 5 of the set up Instructions.



## Collapsing

Simply reverse the procedure in steps 1-5 ignoring the removal of the Ball Net.

**Store the unit away in the Carry Bag provided and place the loose parts in the inside pocket of the bag.**

Look forward to the next time you can **Play Anywhere.**

Don't forget to upload your best skills to

**[www.facebook.com/footballflick](http://www.facebook.com/footballflick)**

**and visit [www.footballflick.com](http://www.footballflick.com).**